



SECTION 1.1_KSBB/BS

PRESSURE VACUUM RELIEF VALVE VENT TO ATMOSPHERE

INTRODUCTION

The model KSBB and KSBS pressure vacuum valves are an advanced design for vent to atmosphere applications. Designed, manufactured and tested according to the API 2000 code, these valves utilize the latest technologies to provide protection against positive or vacuum over pressure and prevent air intake, evaporative losses of product and help to contain odorous and potentially explosive vapor.

Setting Pressure

KSBB Weight Loaded model	Min. +/- 20 mmW.C ~ Max. + 700/- 430 mmW.C
KSBS Spring Loaded model	Min. + 700/- 430 mmW.C ~ Max. +/- 9,000 mmW.C

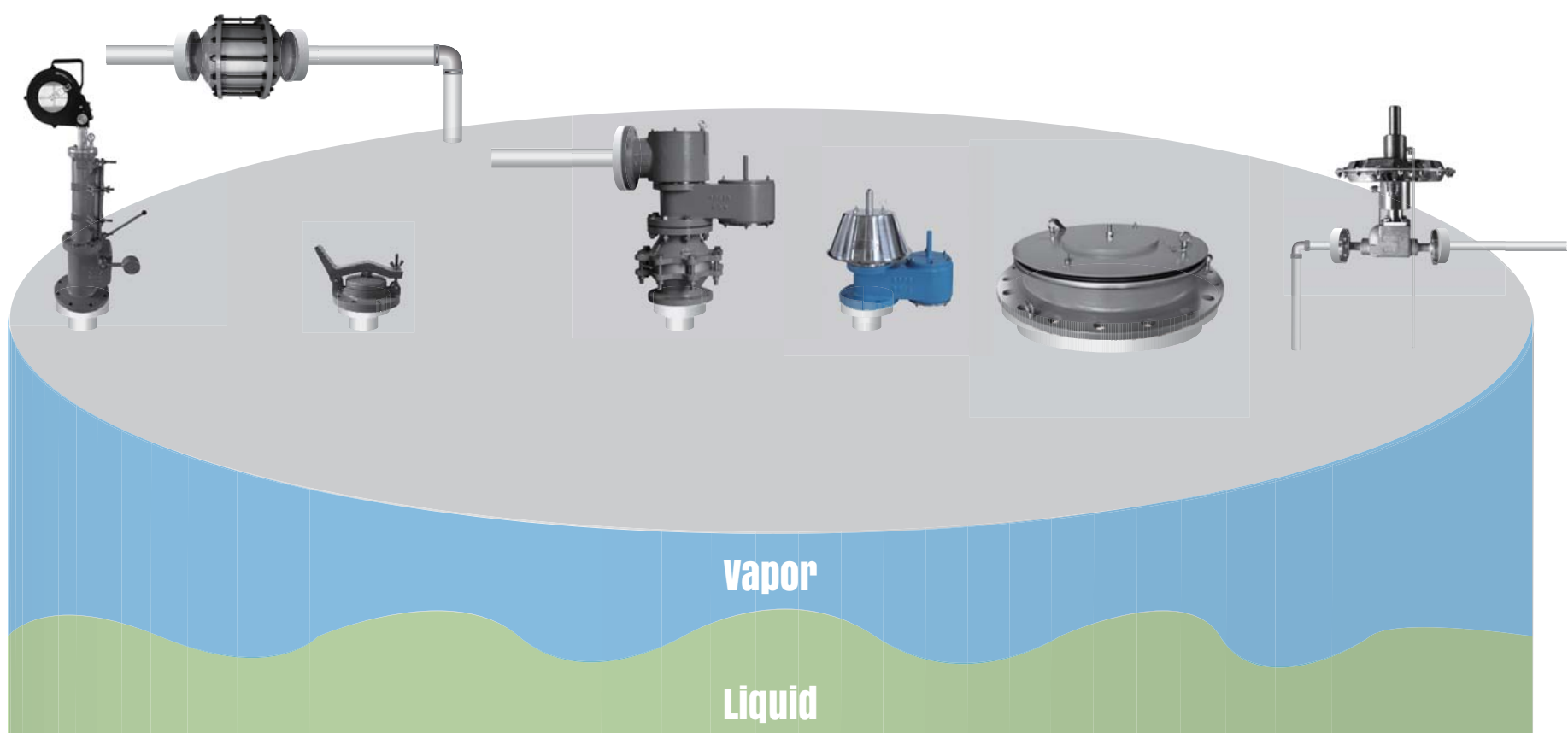
Body Materials Aluminium, Carbon Steel, SS304 and SS316 with various trims
(Different materials available on request)

Sizes range DN 50 ~ DN 350 with ANSI 150lb flanges
(Different connections available on request)

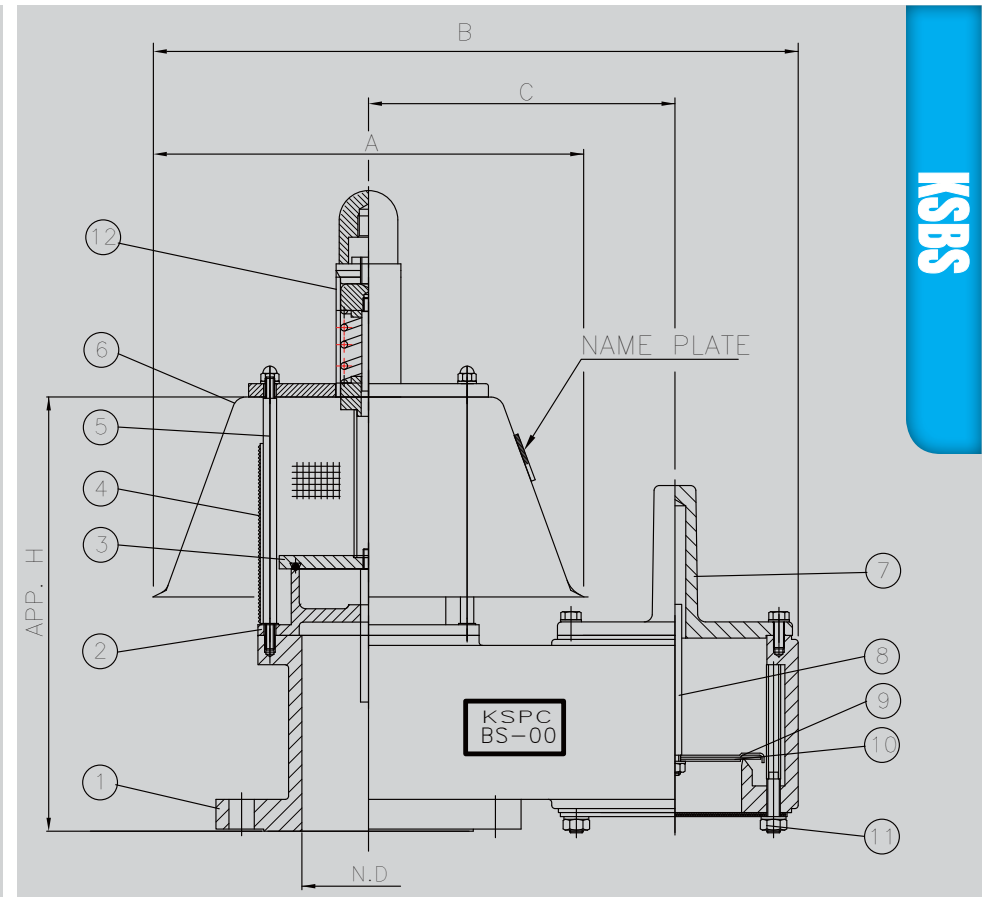
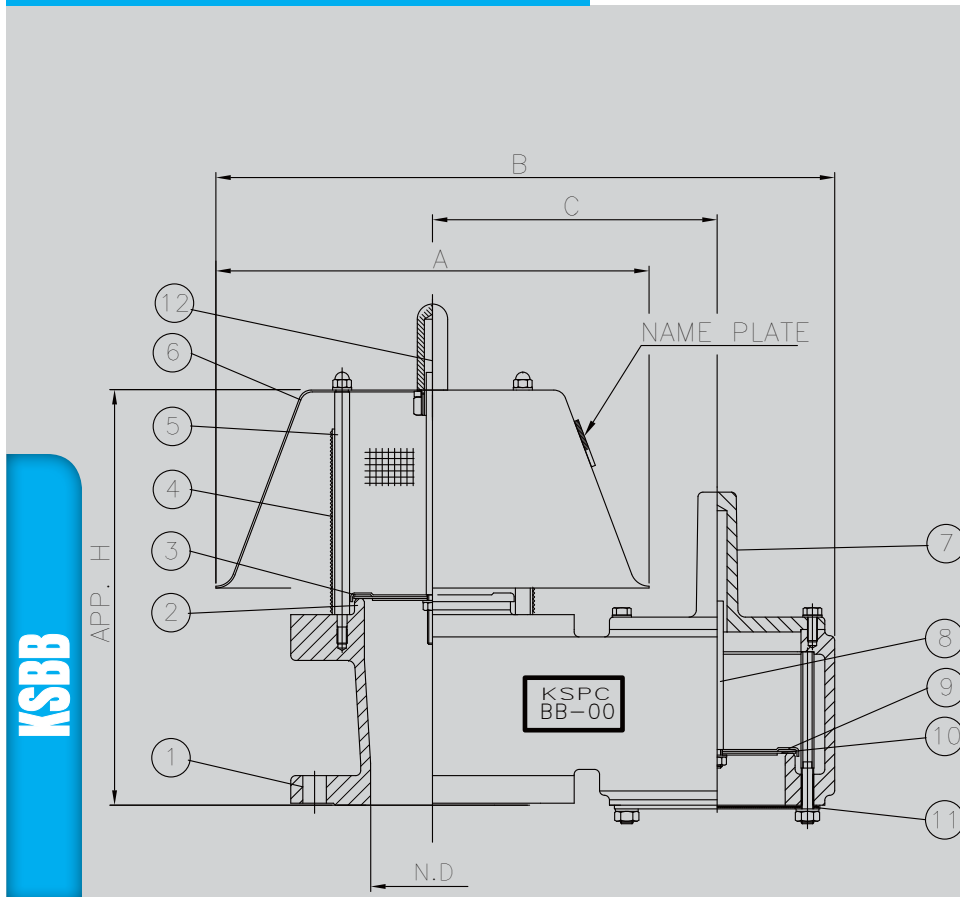
Rules & Certifications API 2000 & FM factory mutual approval

Optimum / Optional Design & Arrangments Stem Jacket type, Steam Tracing type, Proximity type, Teflon Coating/Lining type

APPLICATION



OUTLINE DRAWING



KSBS

Section 1.1
KSBB/BS

DIMENSION TABLE

SIZE	2"	3"	4"	6"	8"	10"	12"	14"
N.D	50	80	100	150	200	250	300	350
A	250	294	324	440	476	544	620	685
B	359	446	485	627	742	861	978	1125
C	165	206	230	283	348	406	466	542
Approx. H	271	304	327	398	449	509	558	567

NOTE Standard Connection(ANSI 150LB flange) and JIS or different types are available upon request.

COMPONENT MATERIAL

ITEM NO	COMPONENT	BODY	ALUMINIUM	C.S	SS304	SS316
		TRIM	SS304	SS304	SS304	SS316L
1	BODY		B26-319.F	A216-WCB	A351-CF8	A351-CF8M
2	PRESSURE SEAT		B26-319.F	A351-CF8	A351-CF8	A351-CF8M
3	PRESSURE DISC		SS304	SS304	SS304	SS316L
4	BIRD SCREEN		SS304	SS304	SS304	SS316L
5	PRESS. GUIDE POST		SS304	SS304	SS304	SS316L
6	WEATHER HOOD		SS304	SS304	SS304	SS316L
7	VACUUM COVER		B26-319.F	C.S	SS304	SS316L
8	VACUUM STEM		SS304	SS304	SS304	SS316L
9	VACUUM DISC		SS304	SS304	SS304	SS316L
10	DIAPHRAGM		TEFLON			
11	VACUUM SCREEN		SS304	SS304	SS304	SS316L
12	STEM GUIDE		SS304	SS304	SS304	SS316L
12.1	PALLET WEIGHT		COATED CS OR SS			
13	SPRING		SS304	SS304	SS304	SS316L