



SECTION 4.6_KSEPK

HINGED EMERGENCY VENT COVER PRESSURE RELIEF

INTRODUCTION

The model KSEPK is designed to provide emergency pressure relief for storage tanks when exposed to overpressures that are not handled by standard tank vents. These vents provide the capacity to meet API standard 2000 for emergency venting due to fire exposure when properly sized. These covers also provide quick easy access for tank inspection and maintenance.

Setting Pressure

KSEPK Permanent Setting	Min. 50 mmW.C ~ Max. 700 mmW.C
-------------------------	--------------------------------

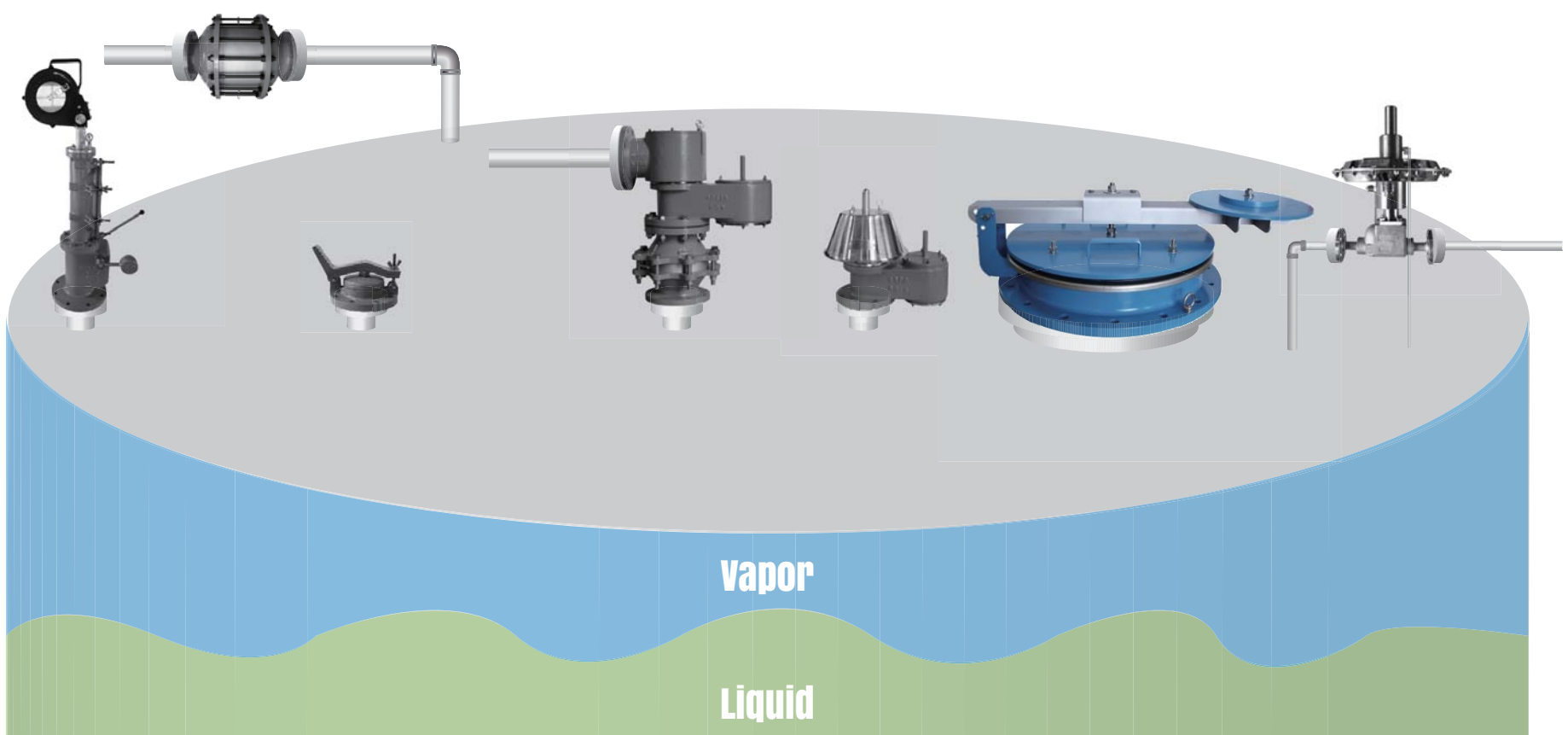
Body Materials Carbon Steel, SS304 and SS316 with various trims
(Different materials available on request)

Sizes range DN 400, 450, 500 and DN 600 with ANSI 150lb or API 650 flanges
(Different connections available on request)

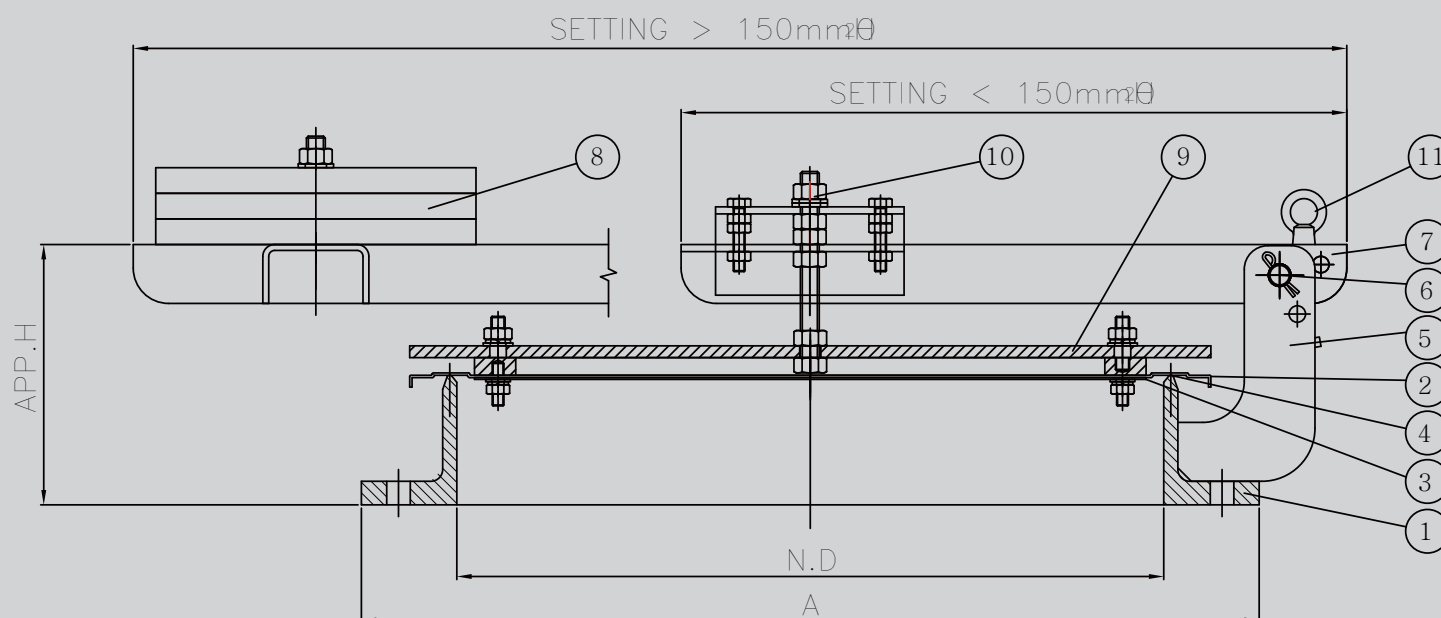
Rules & Certifications API 2000

Optimum / optional Design & Arrangements Stem Jacket type, Steam Tracing type, Proximity type, Teflon Coating/Lining type

APPLICATION



OUTLINE DRAWING



DIMENSION TABLE

SIZE		16"	18"	20"	24"
N.D		400	450	500	600
A	API 650	597	635	660	762
	ANSI 150#	597	635	700	815
Approx. H	MIN.	210	210	210	210
	MAX.	260	260	260	260

NOTE CERTIFIED DIMENSIONS AVAILABLE UPON REQUEST (STD : API650).

COMPONENT MATERIAL

ITEM NO	COMPONENT	BODY	ALUMINIUM	C.S	SS304	SS316
		TRIM	SS304	SS304	SS304	SS316L
1	BODY		B26-319.F	A216-WCB	A351-CF8	A351-CF8M
2	DISC		SS304	SS304	SS304	SS316L
3	DISC PLATE		SS304	SS304	SS304	SS316L
4	DIAPHRAGM		TEFLON			
5	HINGE		ALUMINIUM	C.S	SS304	SS304
6	HINGE PIN		SS304	SS304	SS304	SS304
7	ARM		C.S	C.S	SS304	SS304
8	LOADING WEIGHT		C.S OR S.S			
9	BASE RING		C.S OR S.S			
10	BOLT/NUT		SS304	SS304	SS304	SS304
11	LIFTING EYE NUT		SS304	SS304	SS304	SS304

NOTE AL – Aluminium, C.S – Carbon Steel, S.S – Stainless Steel