



SECTION 4.7_KSEPR/EPS

EMERGENCY VENT COVER PRESSURE RELIEF

INTRODUCTION

The model KSEPR/EPS is designed to provide emergency pressure relief for storage tanks when exposed to overpressures that are not handled by standard tank vents. These vents provide the capacity to meet API standard 2000 for emergency venting due to fire exposure when properly sized. These covers also provide quick easy access for tank inspection and maintenance.

Setting Pressure

KSEPR Permanent Setting	Min. 20 mmW.C ~ Max. 700 mmW.C
KSEPS Permanent Setting	Min. 70 mmW.C ~ Max. 9,000 mmW.C

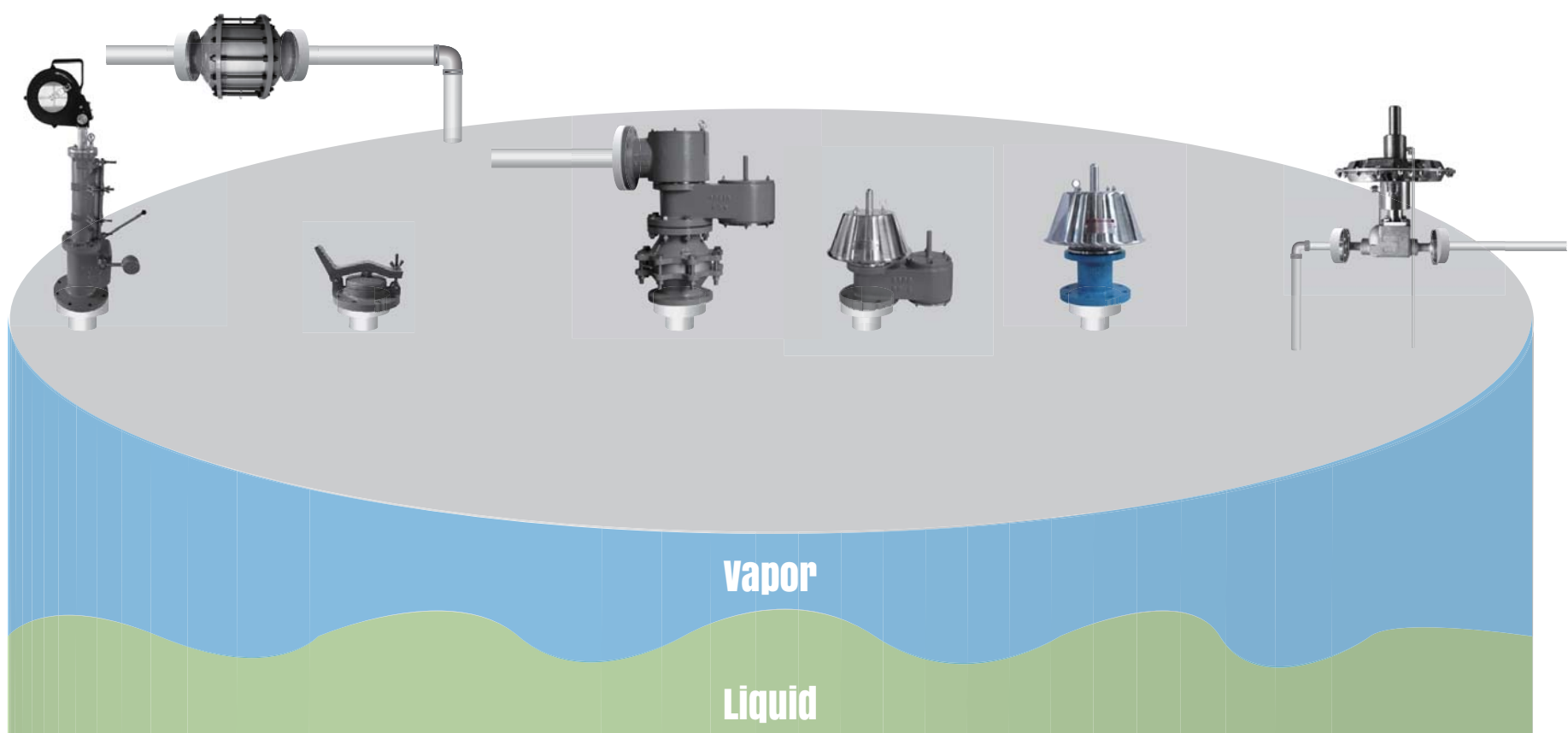
Body Materials Aluminium, Carbon Steel, SS304 and SS316 with various trims
(Different materials available on request)

Sizes range DN 400, 450, 500 and DN 600 with ANSI 150lb or API 650 flanges
(Different connections available on request)

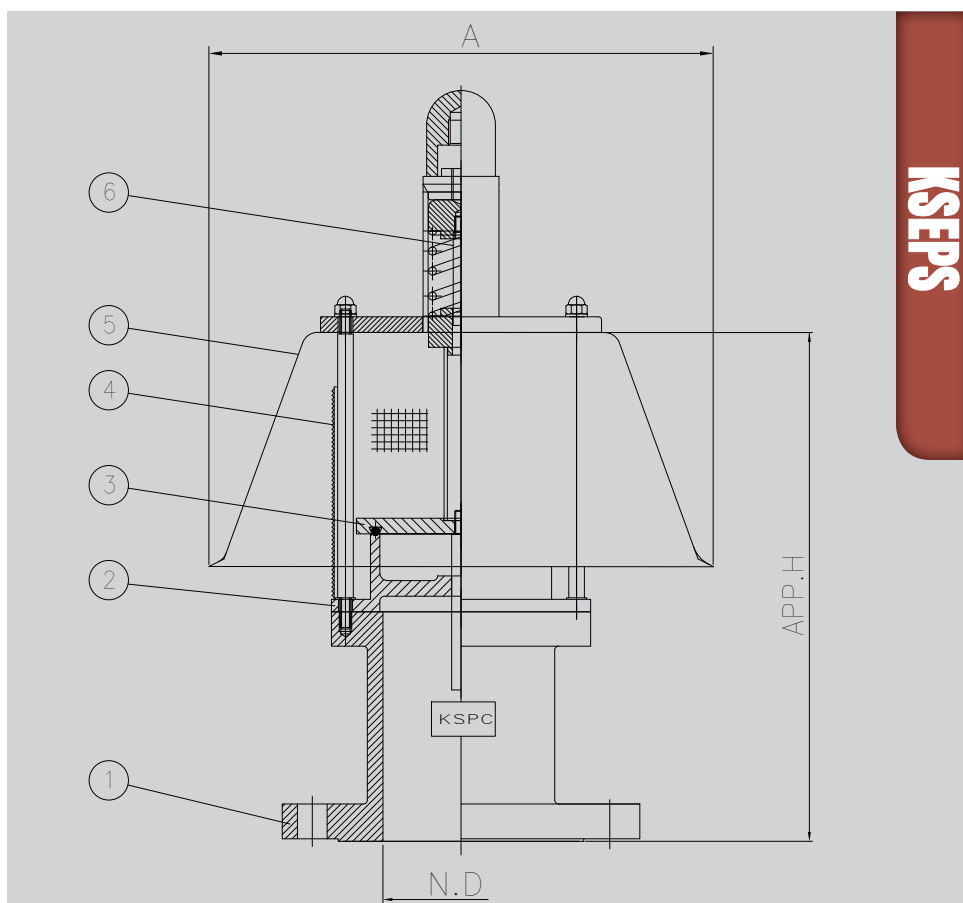
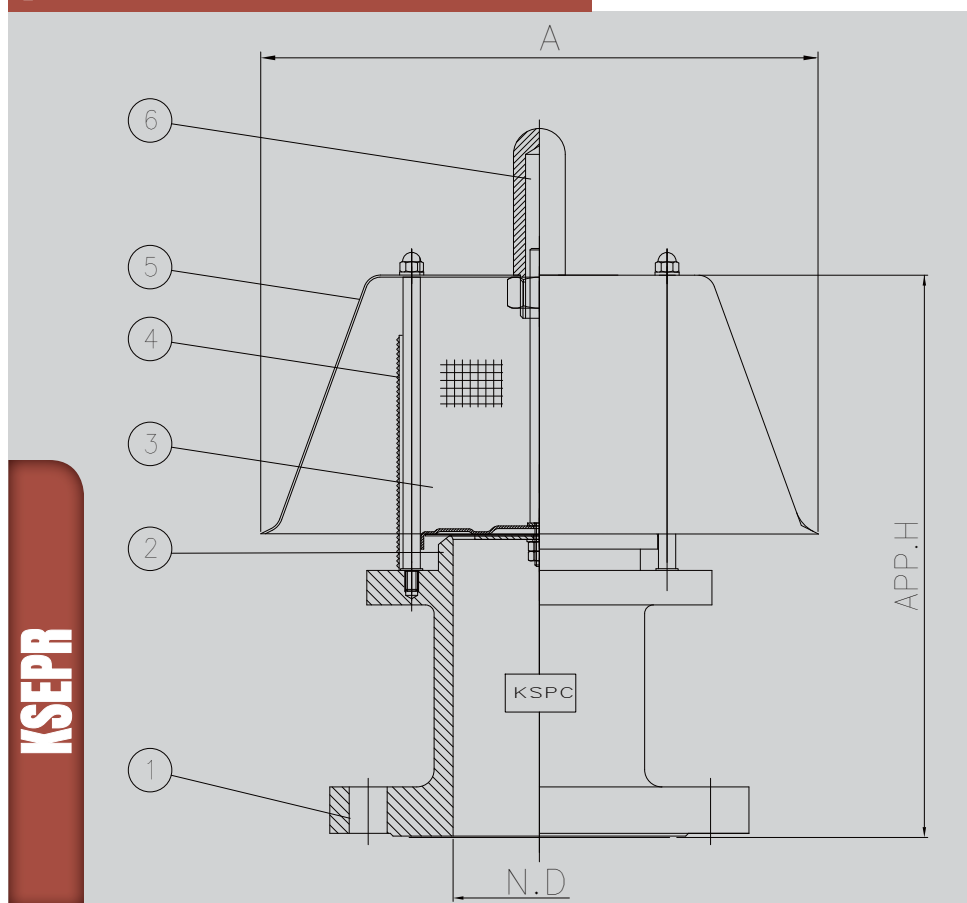
Rules & Certifications API 2000

Optimum / optional Design & Arrangements Stem Jacket type, Steam Tracing type, Proximity type, Teflon Coating/Lining type

APPLICATION



OUTLINE DRAWING



DIMENSION TABLE

SIZE	2"	3"	4"	6"	8"	10"	12"
N.D	50	80	100	150	200	250	300
A	250	294	324	440	476	544	620
Approx. H	270	302	344	381	400	435	456

NOTE Standard Connection(ANSI 150LB flange) and JIS or different types are available upon request.

COMPONENT MATERIAL

ITEM NO	COMPONENT	BODY	ALUMINIUM	C.S	SS304	SS316
		TRIM	SS304	SS304	SS304	SS316L
1	BODY		B26-319.F	A216-WCB	A351-CF8	A351-CF8M
2	PRESSURE SEAT		B26-319.F	A351-CF8	A351-CF8	A351-CF8M
3	PRESSURE DISC		SS304	SS304	SS304	SS316
4	BIRD SCREEN		SS304	SS304	SS304	SS316
5	WEATHER HOOD		SS304	SS304	SS304	SS316
6	PRESSURE STEM GUIDE		SS304	SS304	SS304	SS316
6.1	DIAPHRAGM		TEFLON			
6.2	PALLET WEIGHT		COATED CS OR SS			
7	SPRING		SS304	SS304	SS304	SS316

NOTE AL – Aluminium, C.S – Carbon Steel, S.S – Stainless Steel

KSEPR

KSEPS

Section 4.7
KSEPR/EPS