



SECTION 4.3_KESV

EMERGENCY VENT COVER PRESSURE VACUUM RELIEF

INTRODUCTION

The model KSESV is designed to provide emergency pressure vacuum relief for storage tanks when exposed to overpressures and overvacuum that are not handled by standard tank vents. These vents provide the capacity to meet API standard 2000 for emergency venting due to fire exposure when properly sized.

Setting Pressure

KSESV Permanent Setting	Min. + 700/ - 20 mmW.C ~ Max. + 9,500/ - 700 mmW.C
-------------------------	--

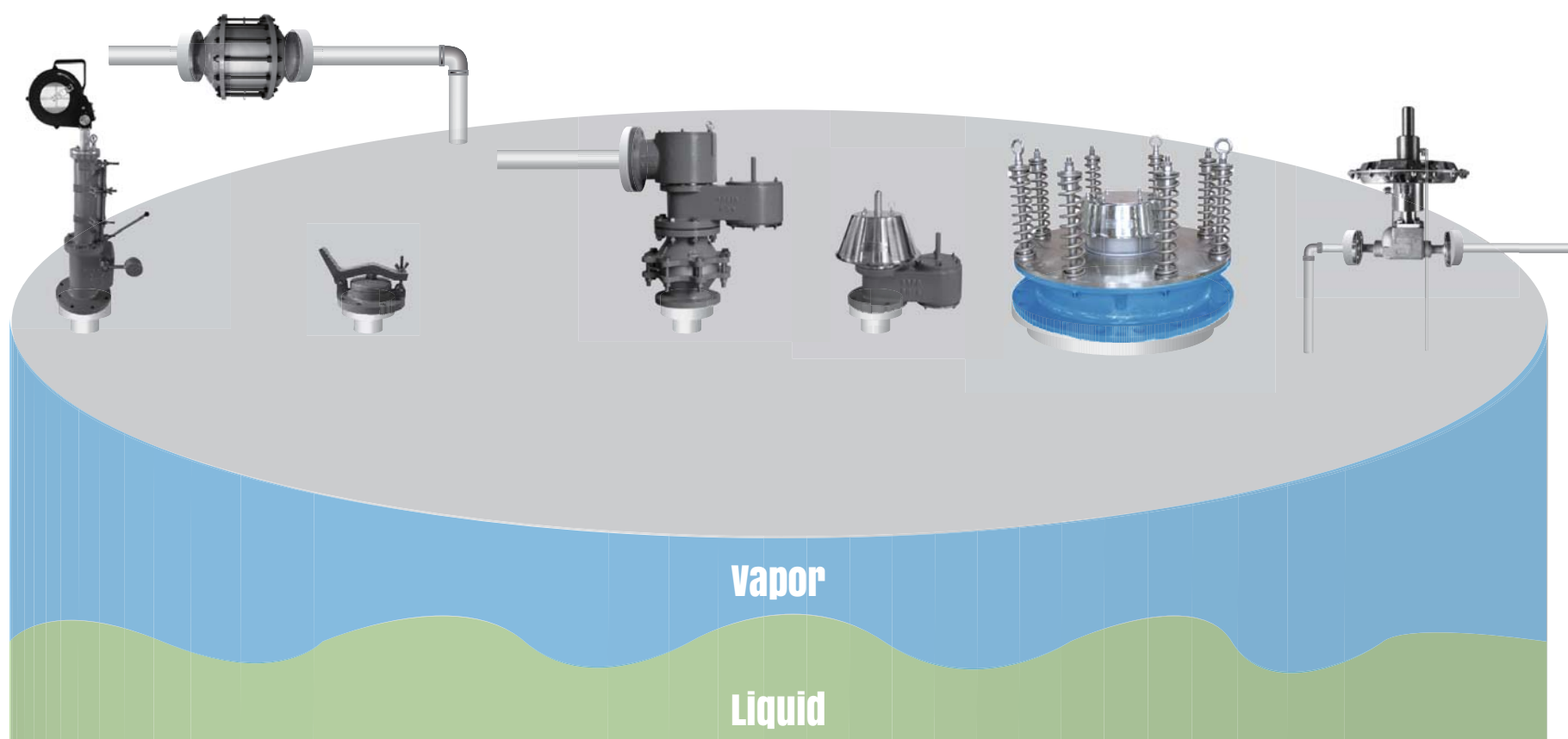
Body Materials Aluminium, Carbon Steel, SS304 and SS316 with various trims
(Different materials available on request)

Sizes range DN 400, 450, 500 and DN 600 with ANSI 150lb or API 650 flanges
(Different connections available on request)

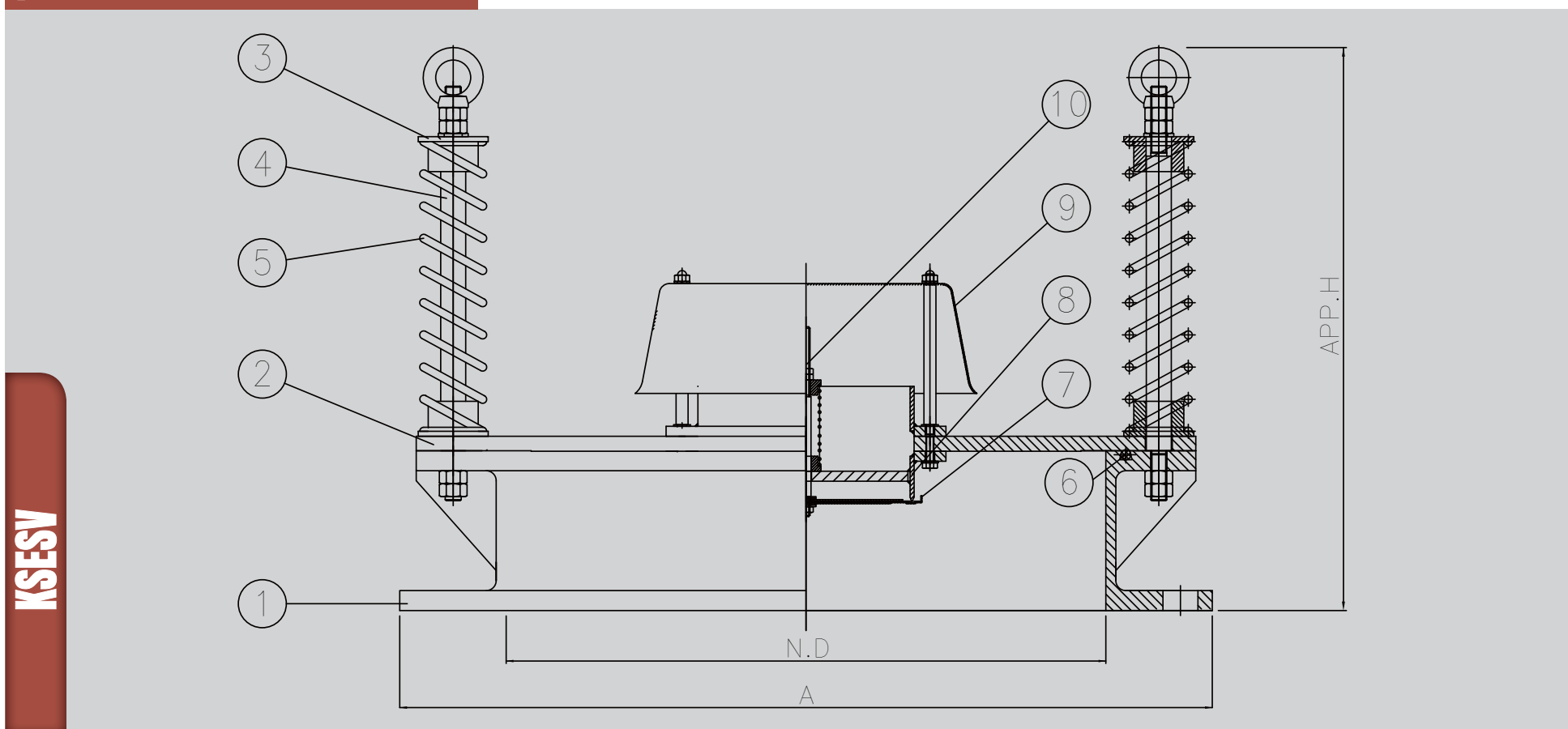
Rules & Certifications API 2000

Optimum / optional Design & Arrangements Stem Jacket type, Steam Tracing type, Proximity type, Teflon Coating/Lining type

APPLICATION



OUTLINE DRAWING



DIMENSION TABLE

SIZE		16"	18"	20"	24"
N.D		400	450	500	600
A	API 650	597	635	660	762
	ANSI 150#	597	635	700	815
Approx. H	MIN.	320	320	320	320
	MAX.	550	550	550	550

NOTE CERTIFIED DIMENSIONS AVAILABLE UPON REQUEST (STD : API650).

COMPONENT MATERIAL

ITEM NO	COMPONENT	BODY	ALUMINIUM	C.S	SS304	SS316
		TRIM	SS304	SS304	SS304	SS316L
1	BODY		B26-319.F	A216-WCB	A351-CF8	A351-CF8M
2	COVER(DISC)		C.S	C.S	SS304	SS316L
3	SPRING PAD		SS304	SS304	SS304	SS304
4	SPRING STEM		SS304	SS304	SS304	SS304
5	SPRING		SS304	SS304	SS304	SS304
6	O-RING		VITON OR REQUIRED			
7	DISC		SS304	SS304	SS304	SS316L
8	VACUUM SEAT		SS304	SS304	SS304	SS316L
9	HOOD		SS304	SS304	SS304	SS316L
10	VACUUM STEM		SS304	SS304	SS304	SS316L

NOTE AL – Aluminium, C.S – Carbon Steel, S.S – Stainless Steel