



SECTION 4.4_KSEV

EMERGENCY VENT COVER PRESSURE VACUUM RELIEF

INTRODUCTION

The model KSEV is designed to provide emergency pressure vacuum relief for storage tanks when exposed to over pressures and over vacuum that are not handled by standard tank vents. These vents provide the capacity to meet API standard 2000 for emergency venting due to fire exposure when properly sized. These covers also provide quick easy access for tank inspection and maintenance.

Setting Pressure

KSEV Permanent Setting	Min. + 50/ - 25 mmW.C ~ Max. + 700/ - 700 mmW.C
------------------------	---

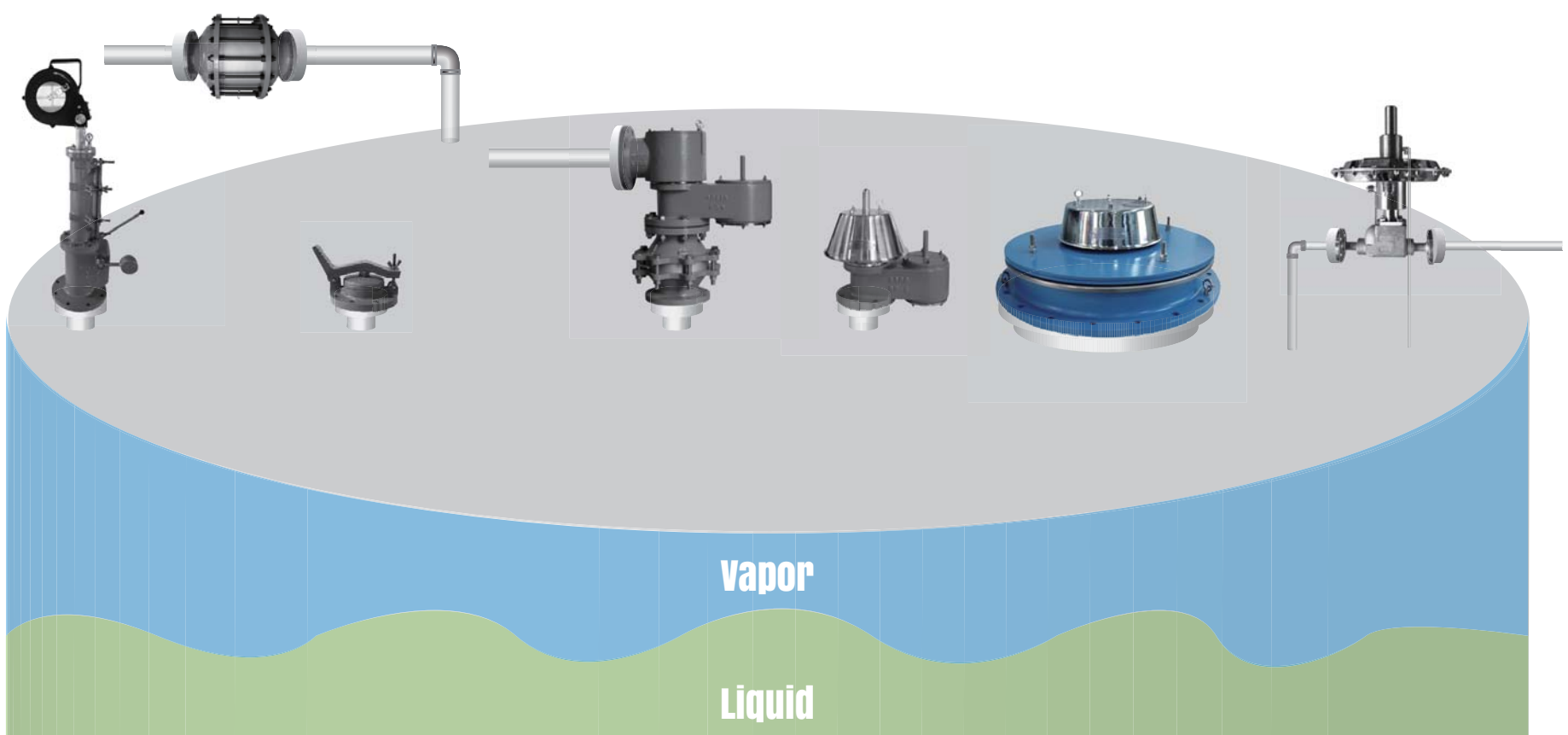
Body Materials Aluminium, Carbon Steel, SS304 and SS316 with various trims
(Different materials available on request)

Sizes range DN 400, 450, 500 and DN 600 with ANSI 150lb or API 650 flanges
(Different connections available on request)

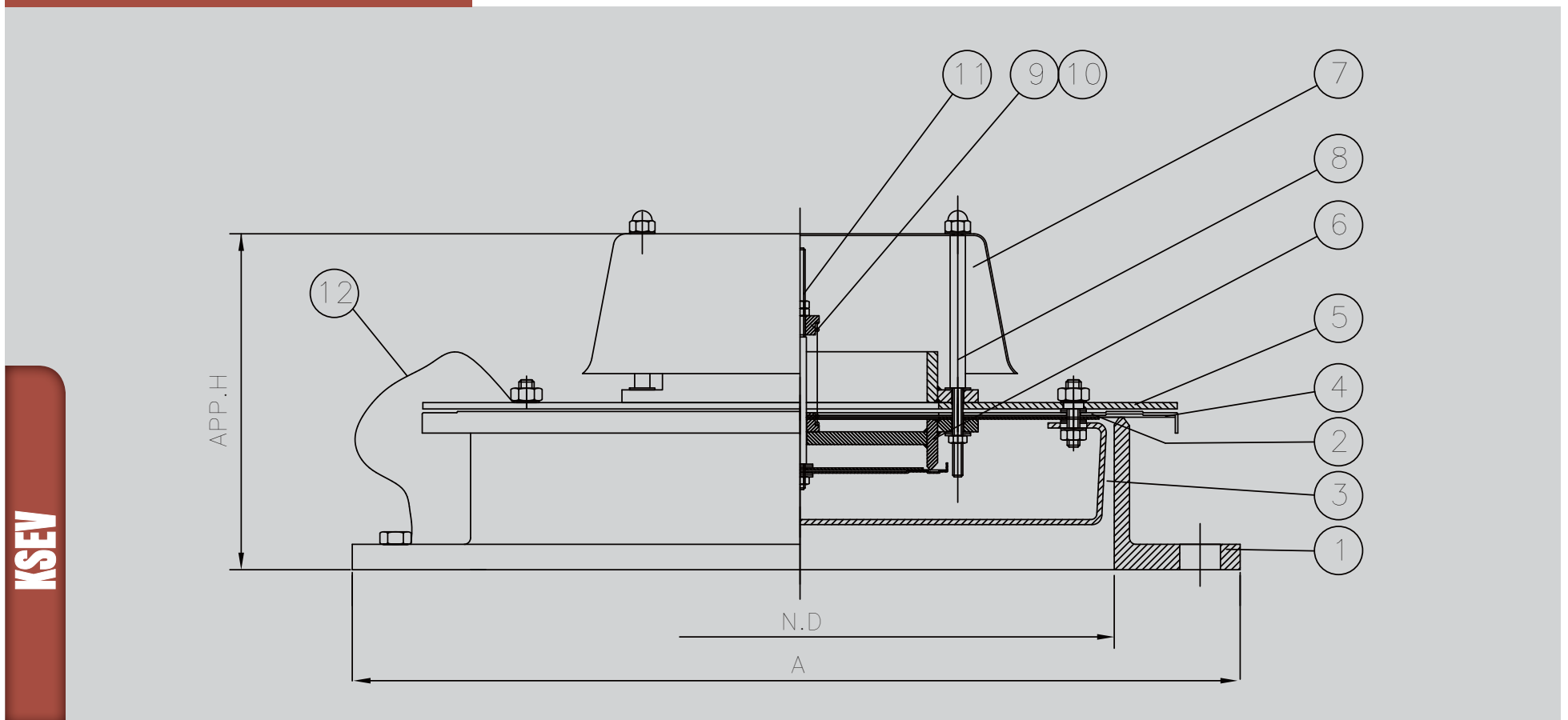
Rules & Certifications API 2000

Optimum / optional Design & Arrangements Stem Jacket type, Steam Tracing type, Proximity type, Teflon Coating/Lining type

APPLICATION



OUTLINE DRAWING



DIMENSION TABLE

SIZE		16"	18"	20"	24"
N.D		400	450	500	600
A	API 650	597	635	660	762
	ANSI 150#	597	635	700	815
Approx. H	MIN.	250	250	250	250
	MAX.	270	270	270	270

NOTE CERTIFIED DIMENSIONS AVAILABLE UPON REQUEST (STD : API650).

COMPONENT MATERIAL

ITEM NO	COMPONENT	BODY	ALUMINIUM	C.S	SS304	SS316
		TRIM	SS304	SS304	SS304	SS316L
1	BODY		B26-319.F	A216-WCB	A351-CF8	A351-CF8M
2	DISC & PLATE		SS304	SS304	SS304	SS316L
3	GUIDE		SS304	SS304	SS304	SS316L
4	DIAPHRAGM		TEFLON			
5	LOADING WEIGHT		C.S OR S.S			
6	VACUUM DISC & SEAT		SS304	SS304	SS304	SS316L
7	SCREEN		SS304	SS304	SS304	SS316L
8	VACUUM COVER SUPPORT		SS304	SS304	SS304	SS316L
9	SPRING		SS304	SS304	SS304	SS316L
10	SPRING GUIDE		SS304	SS304	SS304	SS316L
11	VACUUM STEM		SS304	SS304	SS304	SS316L
12	EARTH WIRE		SS304	SS304	SS304	SS304

NOTE AL – Aluminium, C.S – Carbon Steel, S.S – Stainless Steel