



SECTION 1.4_KSPR/PS

PRESSURE RELIEF VALVE VENT TO ATMOSPHERE

INTRODUCTION

The model KSPR and KSPS pressure valves are an advanced design for vent to atmosphere applications. Designed, manufactured and tested according to the API 2000 code. Utilize the latest technologies to provide protection against positive or vacuum over pressure and prevent air intake, evaporative losses of product and help to contain odorous and potentially explosive vapours.

Setting Pressure

KSPR Weight Loaded model	Min. 20 mmW.C ~ Max. 700 mmW.C
KSPS Spring Loaded model	Min. 700 mmW.C ~ Max. 9,000 mmW.C

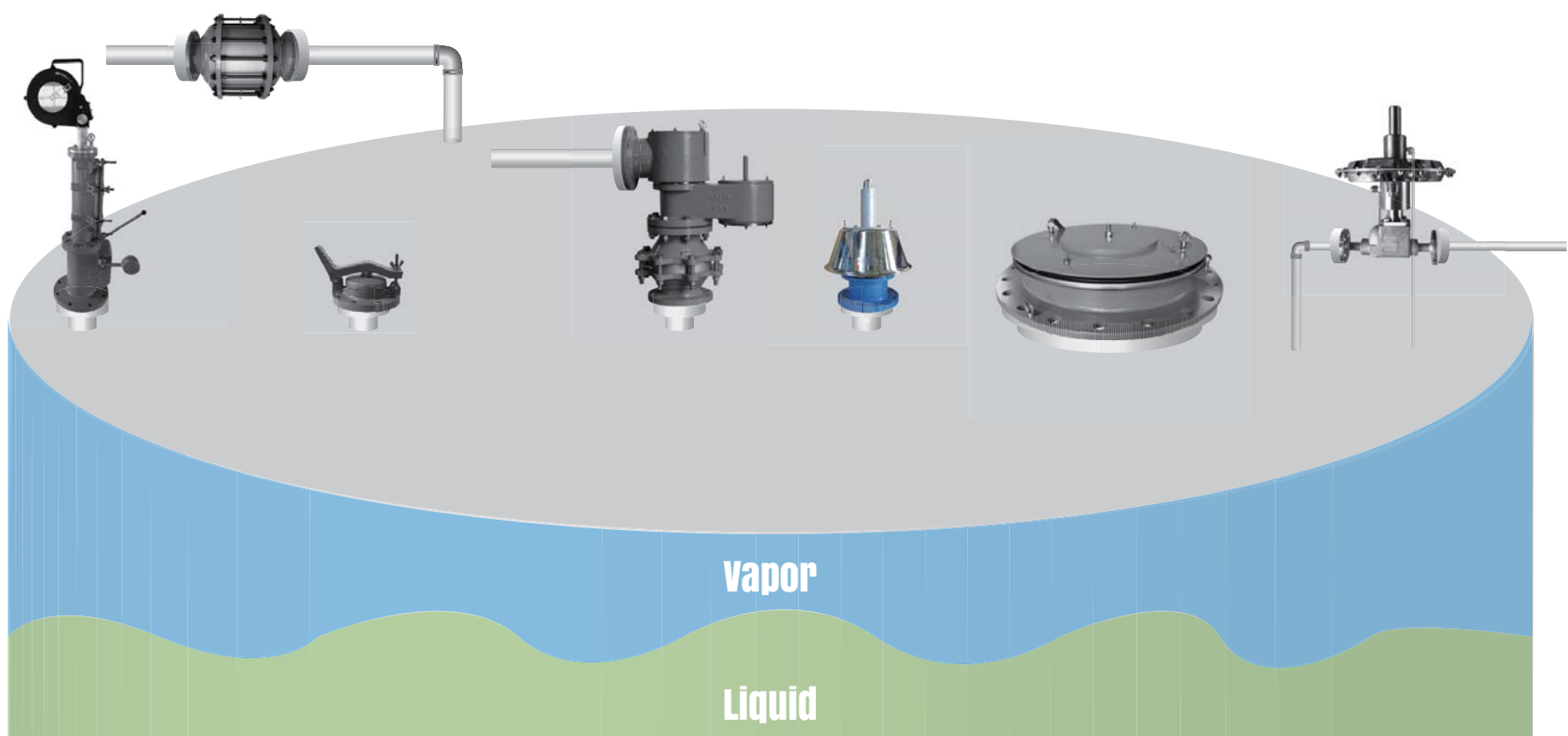
Body Materials Aluminium, Carbon Steel, SS304 and SS316 with various trims
(Different materials available on request)

Sizes range DN 50 ~ DN 350 with ANSI 150lb flanges as standard
(Different connections available on request)

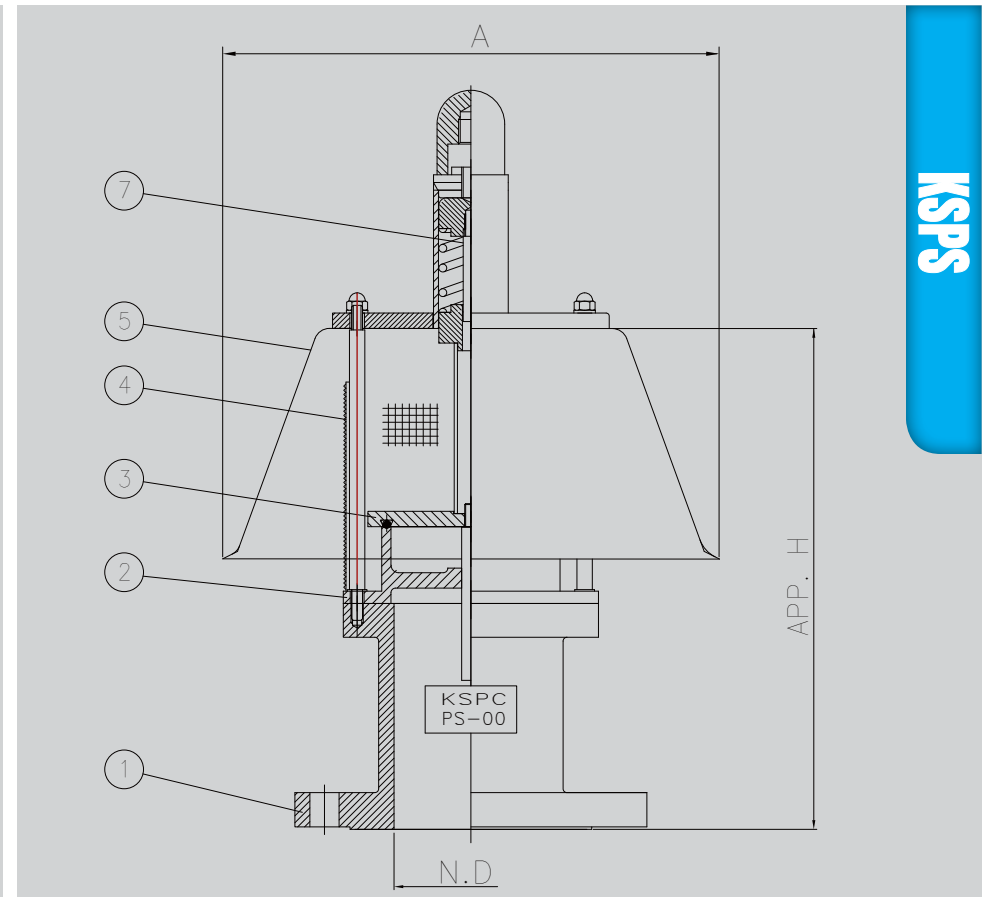
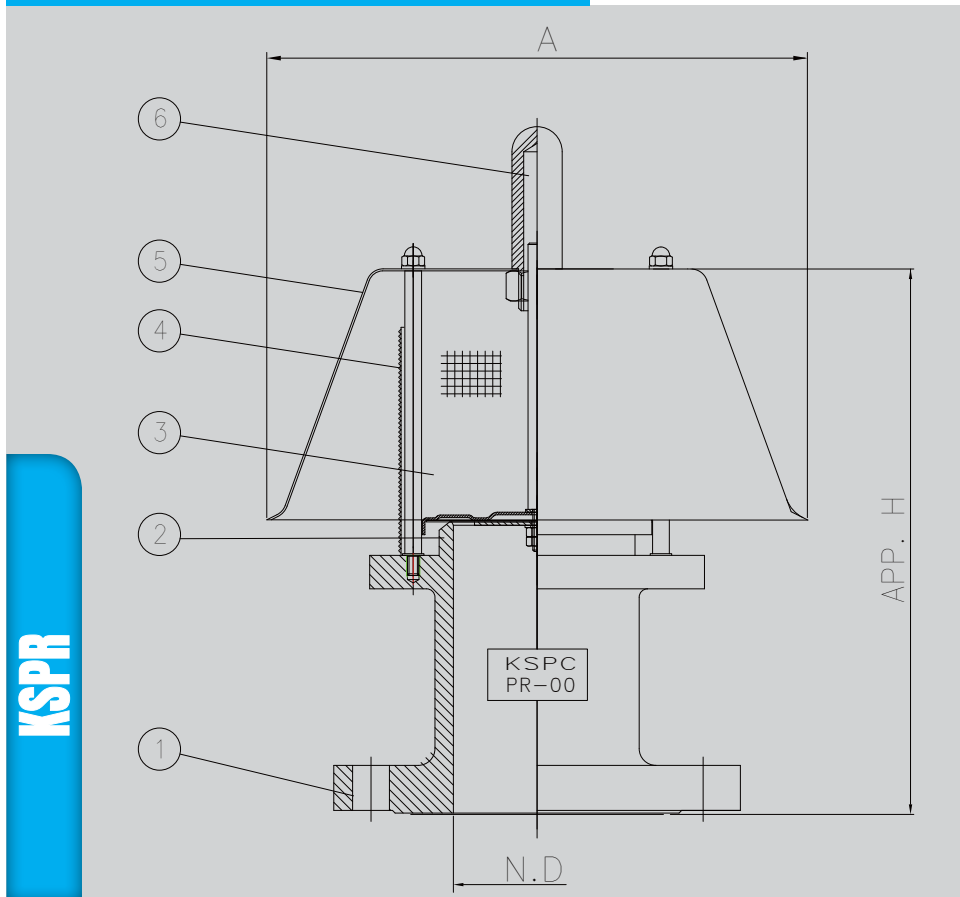
Rules & Certifications API 2000

Optimum / Optional Design & Arrangements Stem Jacket type, Steam Tracing type, Proximity type, Teflon Coating/Lining type

APPLICATION



OUTLINE DRAWING



KSPS

Section 1.4
KSPR/PS

DIMENSION TABLE

SIZE	2"	3"	4"	6"	8"	10"	12"	14"
N.D	50	80	100	150	200	250	300	350
A	250	294	324	440	476	544	620	685
Approx. H	270	294	338	368	388	417	442	462

NOTE Standard Connection(ANSI 150LB flange) and JIS or different types are available upon request.

COMPONENT MATERIAL

ITEM NO	COMPONENT	BODY	ALUMINIUM	C.S	SS304	SS316
		TRIM	SS304	SS304	SS304	SS316L
1	BODY		B26-319.F	A216-WCB	A351-CF8	A351-CF8M
2	PRESSURE SEAT		B26-319.F	A351-CF8	A351-CF8	A351-CF8M
3	PRESSURE DISC		SS304	SS304	SS304	SS316L
4	BIRD SCREEN		SS304	SS304	SS304	SS316L
5	WEATHER HOOD		SS304	SS304	SS304	SS316L
6	PRESSURE STEM GUIDE		SS304	SS304	SS304	SS316L
6.1	DIAPHRAGM		TEFLON			
6.2	PALLET WEIGHT		COATED CS OR SS			
7	SPRING		SS304	SS304	SS304	SS316