



SECTION 1.6_KSVR/VS

VACUUM RELIEF VALVE

INTRODUCTION

The model KSVR and KSVS are designed, manufactured and tested according to the API 2000 code. Utilize the latest technologies to provide protection against positive or vacuum over pressure and prevent air intake, evaporative losses of product and help to contain odorous and potentially explosive vapours.

Setting Pressure

KSVR Weight Loaded model	Min. - 25 mmW.C ~ Max. - 430 mmW.C
KSVS Spring Loaded model	Min. - 430 mmW.C ~ Max. - 9,000 mmW.C

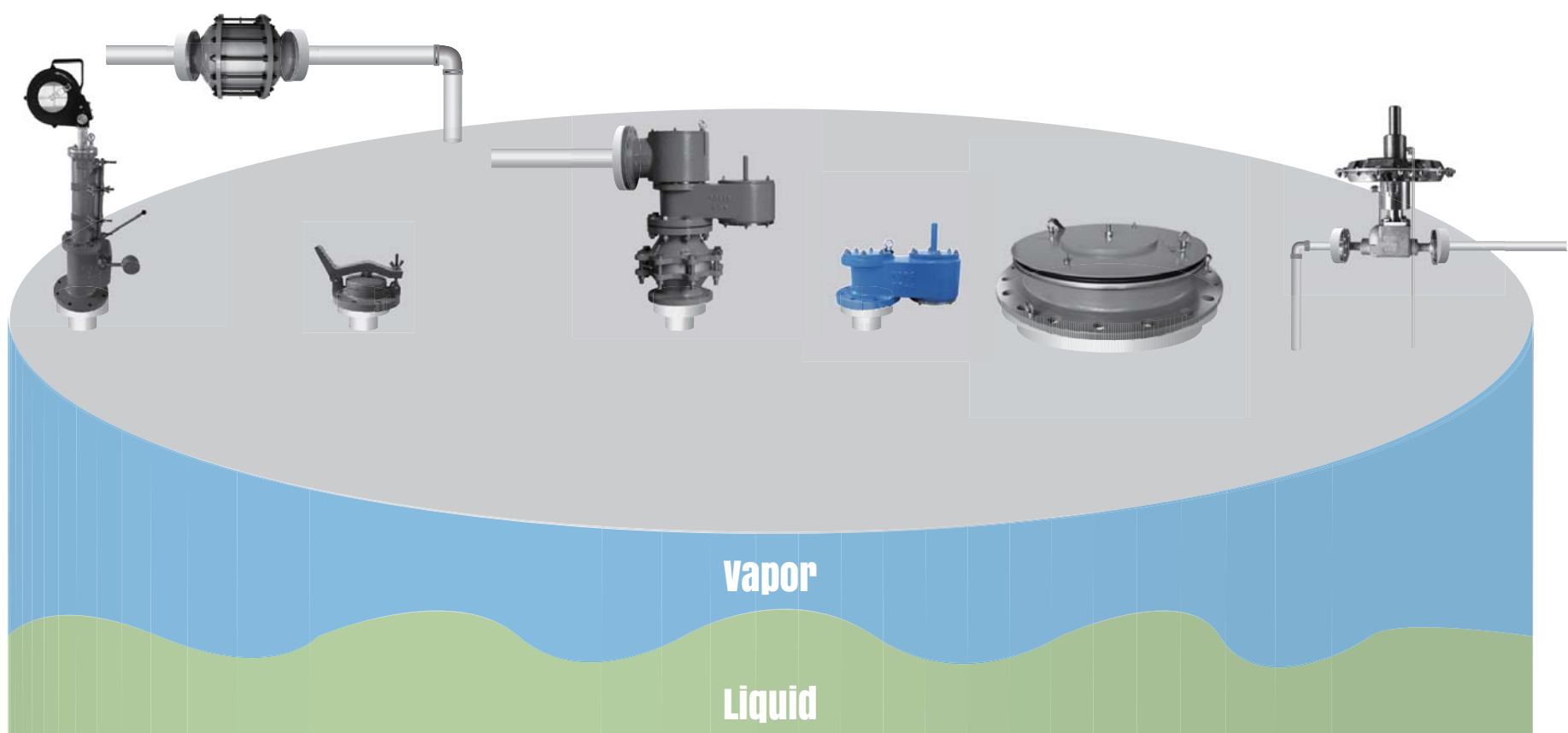
Body Materials Aluminium, Carbon Steel, SS304 and SS316 with various trims
(Different materials available on request)

Sizes range DN 50 ~ DN 350 with ANSI 150lb flanges as standard
(Different connections available on request)

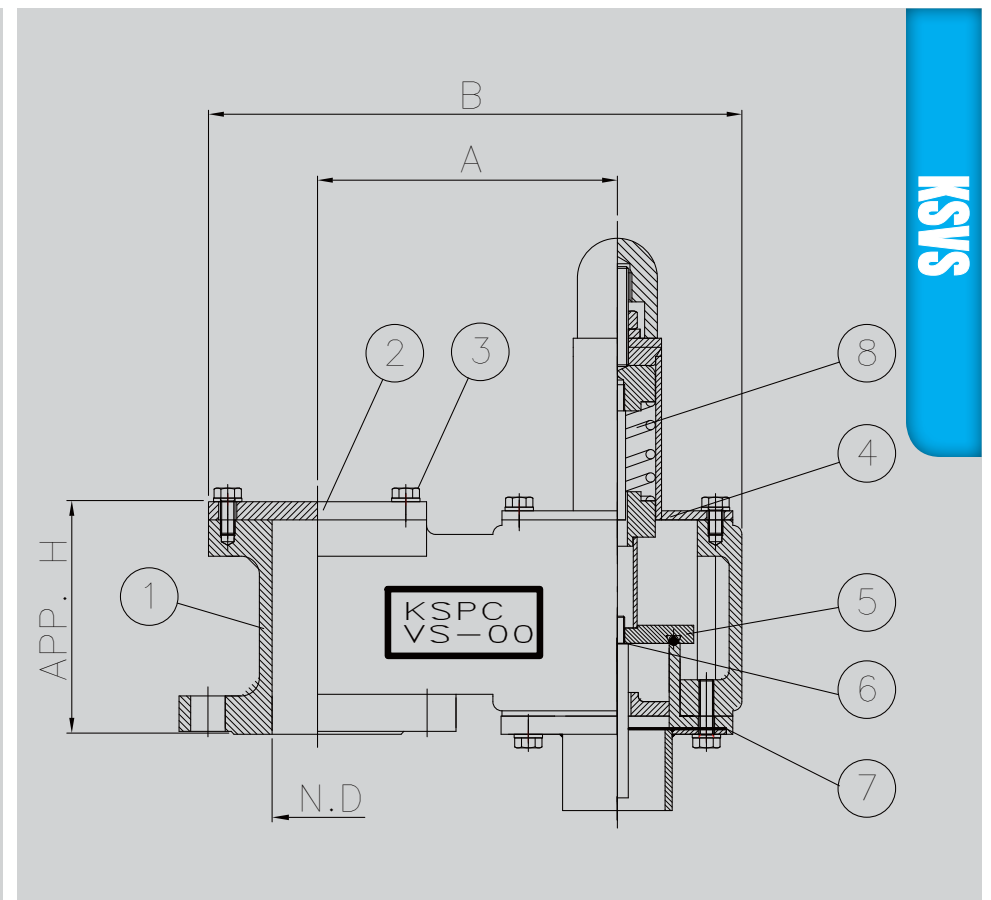
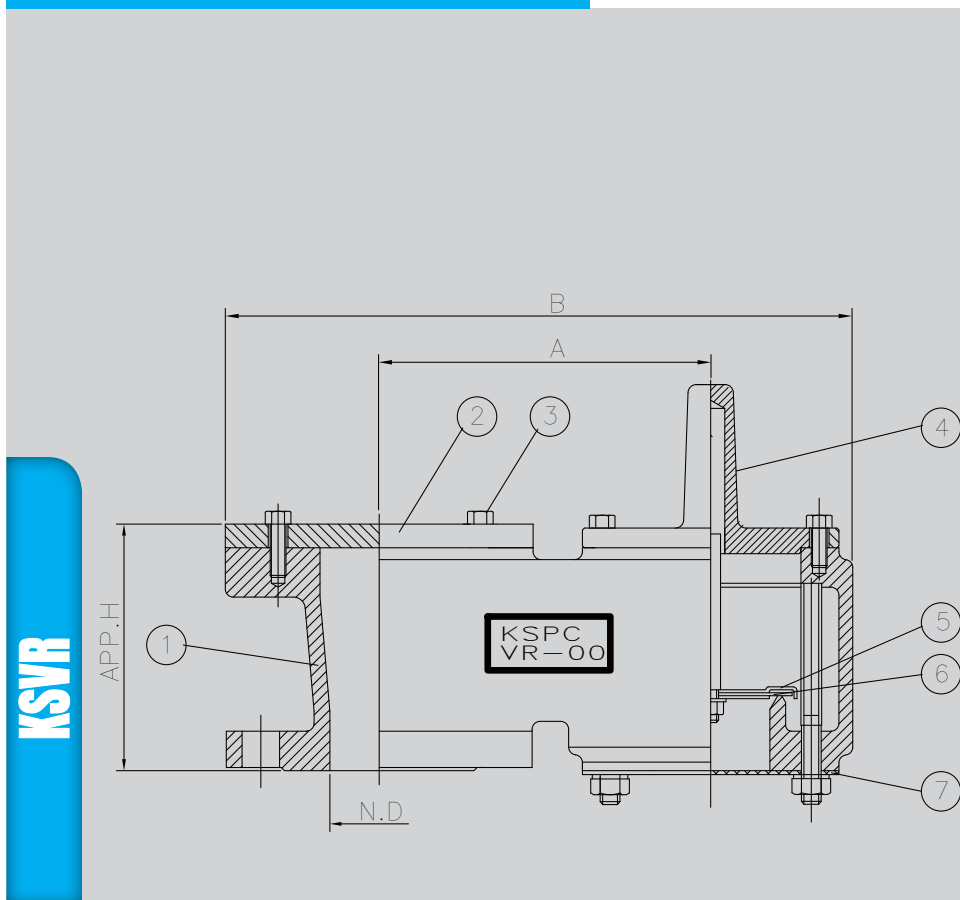
Rules & Certifications API 2000

Optimum / Optional Design & Arrangements Stem Jacket type, Steam Tracing type, Proximity type, Teflon Coating/Lining type

APPLICATION



OUTLINE DRAWING



KSVS

Section 1.6
KSVR/VS

DIMENSION TABLE

SIZE	2"	3"	4"	6"	8"	10"	12"	14"
N.D	50	80	100	150	200	250	300	350
A	165	206	230	283	348	406	466	542
B	297	379	410	523	647	755	858	1016
Approx. H	128	146	159	184	215	240	274	283

NOTE Standard Connection(ANSI 150LB flange) and JIS or different types are available upon request.

COMPONENT MATERIAL

ITEM NO	COMPONENT	BODY	ALUMINIUM	C.S	SS304	SS316
		TRIM	SS304	SS304	SS304	SS316L
1	BODY		B26-319.F	A216-WCB	A351-CF8	A351-CF8M
2	PRESSURE COVER		ALUMINIUM	C.S	SS304	SS316L
3	STUD BOLT		SS304	SS304	SS304	SS316L
4	VACUUM COVER		B26-319.F	C.S	SS304	SS316L
5	VACUUM DISC		SS304	SS304	SS304	SS316L
6	DIAPHRAGM		TEFLON			
7	VACUUM SCREEN		SS304	SS304	SS304	SS316L
7.1	PALLET WEIGHT		COATED CS OR SS			
7	SPRING		SS304	SS304	SS304	SS316